



FasTest's ETS is an electronic sealing device for leak test applications requiring ultimate seal control and clean operation. Our full featured drive systems provide Serial, Ethernet or DeviceNet communication for data acquisition and seamless integration into automated leak test systems.

FasTest[®]
Your Productivity Connection



- **Eliminate the mess**, clutter and potential contamination from traditional air control devices
- **Ultimate seal control** via the drive tool which receives its drive signal from the control unit
- **Serial, Ethernet or DeviceNet** communication allows remote monitoring or data acquisition capability



Laptop / PLC Controller
 • Optional, customer supplied

Serial or Ethernet Interface - Customer Supplied

- Actuate Tool from Laptop or PLC controller
- Communication of Tool status
- Remotely monitor and or change Tool settings

Control Cable (I/O cable)

- 4-wire cable available in 2, 4 or 6 meter lengths
- For actuation of Tool with external switch / contacts such as foot switch

Power Cord
 • 120 VAC input to Controller



Controller
 • Controls Tool operation and sealing force
 • Monitor and/or change tool settings



Why Choose Electric over Pneumatic?

Simplify Your Pressure & Leak Test Procedures

Do you want seal control?

- With the ETS controller, you “dial in” a repeatable sealing force from a soft touch for delicate parts to a firm grip for work holding.
- Safe. “Locks on”, even with loss of power.

Do you want easier system integration?

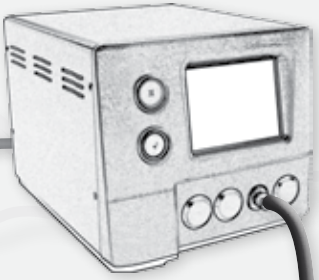
- I/O M12 connection and / or optional Serial, Ethernet or DeviceNet communication allows remote operation, monitoring and data acquisition.
- Plug & Play installation. Simply plug in, make the M12 cable connections and go!

Do you want clean, robust operation?

- 24 VDC eliminates contaminants & moisture found with compressed air systems.
- Elimination of internal seals that wear and fail.

Testing Methods	Pneumatic	Electronic
Water dunk	✓	
Bubble leak	✓	✓
Helium/Tracer gas		✓
Pressure decay		✓
Proof testing		✓
Flow testing	✓	✓

General Overview	Pneumatic	Electronic
Ease of use	✓	✓
Speed of actuation	✓	
Sealing force - light to heavy		✓
Gripping ability		✓
Elimination of seal creep		✓
Elimination of internal leakage		✓
Reduced energy consumption		✓
Integration into control system (PLC)		✓
Data collection		✓
Versatility		✓
Clean operation		✓



Leak Test Instrument - Customer Supplied

- ETS easily integrates into most leak test systems for manual, semi or fully automated testing

Test Media Connection - Customer Supplied

- Connection from pressure source to Tool
- For monitoring test status

Tool Cable

- Powers the Tool
- Available in 2, 4 or 6 meter lengths



ETS Internal Sealing Tool

- Sealing range from 0.310" to 1.339" ID's
- Test pressures from Vacuum to 120 psi
- 24 VDC

ETS External Sealing Tool

- Sealing range from 0.030" to 0.827" OD's
- Test pressures from vacuum to 500 psi.
- 24 VDC



Applications



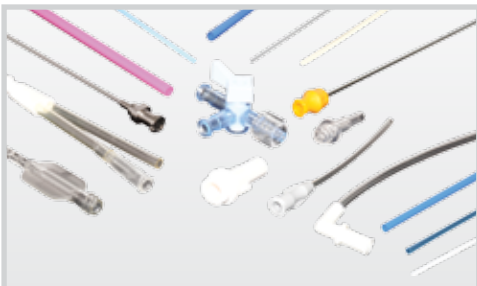
Female Luer Connector

The ETS seals directly over the luer thread. Our proprietary FDA grade seal material is exceptionally durable. The same ETS Tool can seal all female luer styles.



Plastic Molded Parts

Plastic Molded Parts often have a flashing / parting line that requires elevated seal force. The ETS has the equivalent seal force of up to 600 psi pilot pressure.



Lumens & Medical Connections

Lumens and Medical Connections come in numerous designs and sizes. The ETS provides the greatest ability to seal without damage or occlusion. Designs are available to provide internal support as needed for improved testing.



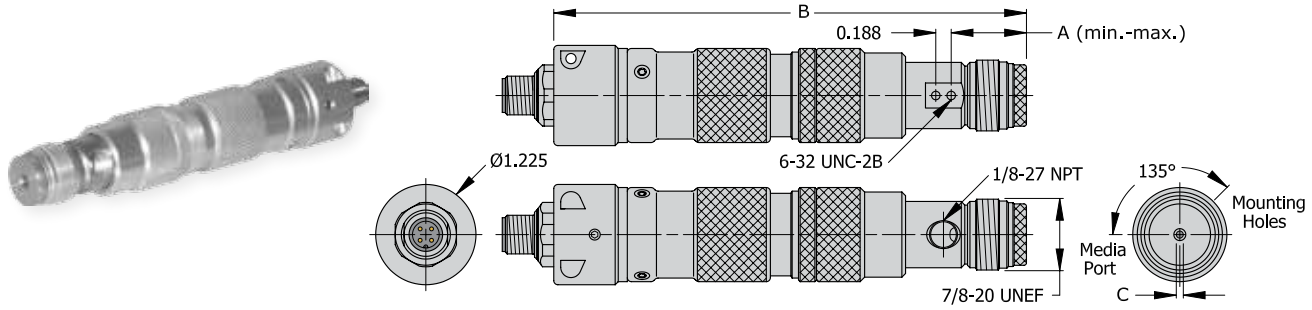
Automation

Pick – Test – Place.

The ETS is easily automated and can be a superior end effector. Our wear resistant seal will form to grip and seal the part for testing and pick and place.

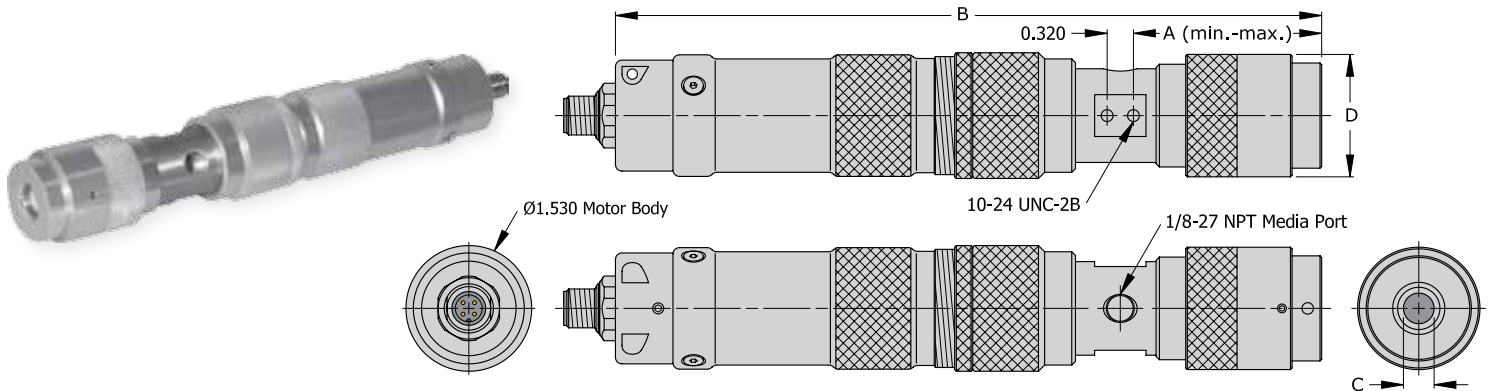
Tool Dimensional Data

Tool Size 1 - "E Type" External Seal



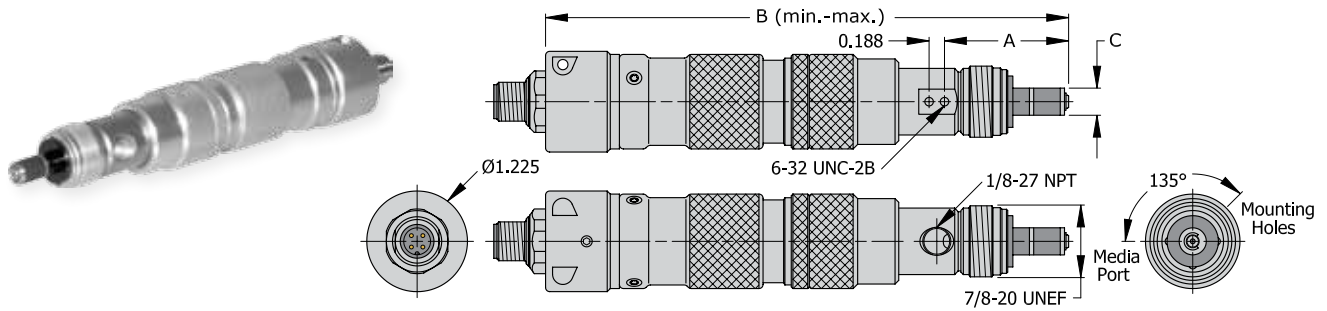
Tool Size 1 - "E Type" External Seal					
Connects to	Part Number	Sealing Range	Dim "A"	Dim "B"	Dim "C"
Tubing	ETS-1E-0050	0.030"-0.050"	0.936"-1.150"	6.238"	0.050"
	ETS-1E-0080	0.050"-0.080"	0.906"-1.150"		0.086"
	ETS-1E-0130	0.080"-0.130"	0.936"-1.150"		0.136"

Tool Size 2 - "E Type" External Seal



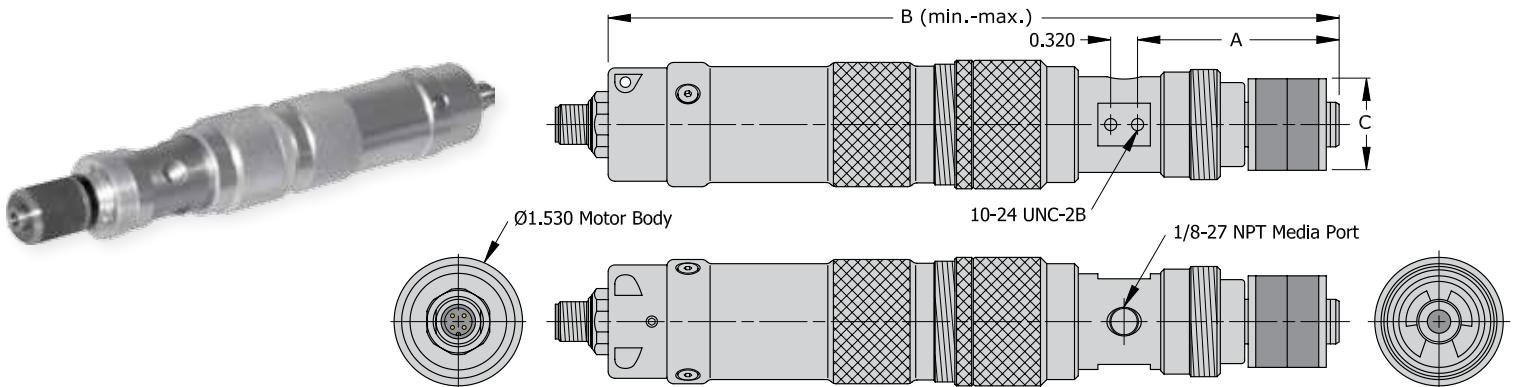
Tool Size 2 - "E Type" External Seal						
Connects to	Part Number	Sealing Range	Dim "A"	Dim "B"	Dim "C"	Dim "D"
Tubing	ETS-2E-0180	0.100"-0.180"	2.170"-2.530"	9.071"	0.190"	1.490"
	ETS-2E-0260	0.180"-0.260"			0.270"	
	ETS-2E-0340	0.260"-0.340"			0.350"	
	ETS-2E-0420	0.340"-0.420"			0.430"	
	ETS-2E-0510	0.420"-0.510"			0.520"	
	ETS-2E-0512	0.433"-0.512"	2.410"-2.770"	9.311"	0.524"	2.220"
	ETS-2E-0591	0.512"-0.591"			0.603"	
	ETS-2E-0669	0.591"-0.669"			0.679"	
	ETS-2E-0750	0.669"-0.750"			0.760"	
	ETS-2E-0827	0.750"-0.827"			0.839"	
Threads	ETS-2E-T012	1/8" NPT	2.170"-2.530"	9.071"	0.410"	1.490"
	ETS-2E-T025	1/4" NPT	2.410"-2.770"	9.311"	0.550"	2.220"
	ETS-2E-T038	3/8" NPT			0.679"	

Tool Size 1 - "I Type" Internal Seal



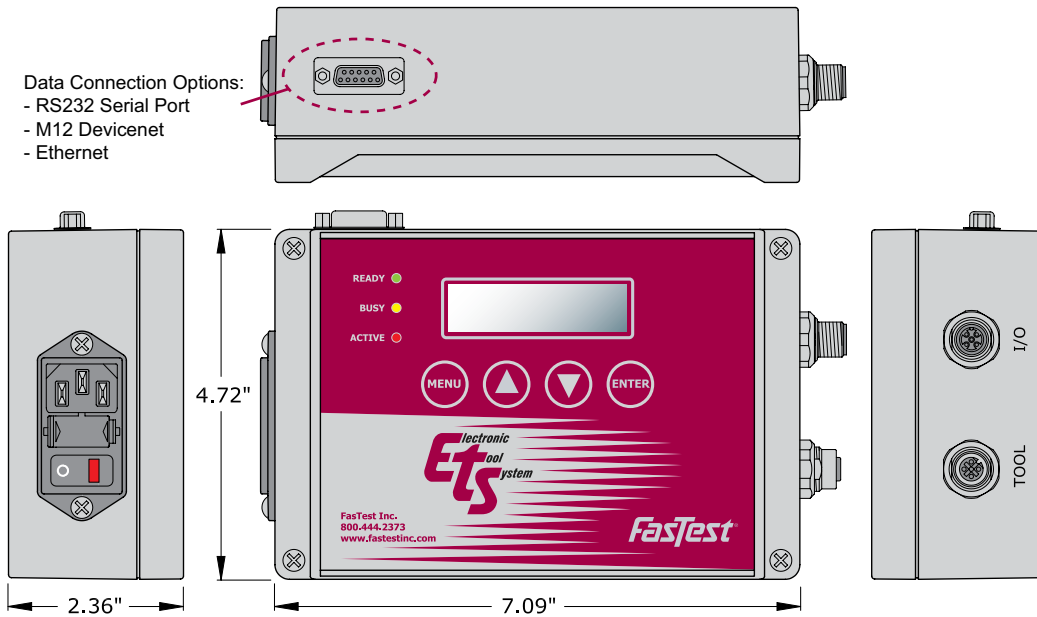
Tool Size 1 - "I Type" Internal Seal					
Connects to	Part Number	Sealing Range	Dim "A"	Dim "B"	Dim "C"
Tubing	ETS-1I-0310	0.310"-0.330"	1.506"	6.838"-6.593"	0.300"
	ETS-1I-0330	0.330"-0.394"			0.330"
Threads	ETS-1I-T012	1/8" NPT			

Tool Size 2 - "I Type" Internal Seal

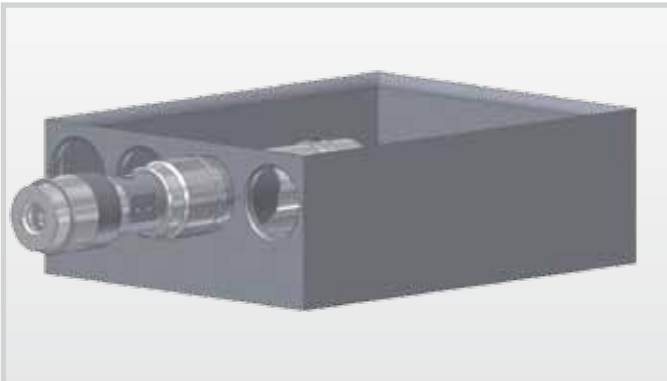


Tool Size 2 - "I Type" Internal Seal						
Connects to	Part Number	Sealing Range	Dim "A"	Dim "B"	Dim "C"	
Tubing	ETS-2I-0394	0.394"-0.472"	1.900"	8.800"-8.440"	0.382"	
	ETS-2I-0472	0.472"-0.551"			0.460"	
	ETS-2I-0551	0.551"-0.630"			0.539"	
	ETS-2I-0630	0.630"-0.709"			0.618"	
	ETS-2I-0709	0.709"-0.787"			0.697"	
	ETS-2I-0787	0.787"-0.866"			0.775"	
	Threads	ETS-2I-0866	0.866"-0.945"	2.400"	9.300"-8.940"	0.854"
		ETS-2I-0945	0.945"-1.024"			0.933"
		ETS-2I-1024	1.024"-1.102"			1.012"
		ETS-2I-1102	1.102"-1.181"			1.090"
		ETS-2I-1181	1.181"-1.260"			1.169"
		ETS-2I-1260	1.260"-1.339"			1.248"
Threads	ETS-2I-T025	1/4" NPT	1.900"	8.800"-8.440"	0.425"	
	ETS-2I-T038	3/8" NPT			0.560"	
	ETS-2I-T050	1/2" NPT			0.690"	
	ETS-2I-T075	3/4" NPT	2.400"	9.300"-8.940"	0.890"	
	ETS-2I-T100	1" NPT			1.125"	

Controller Dimensional Data

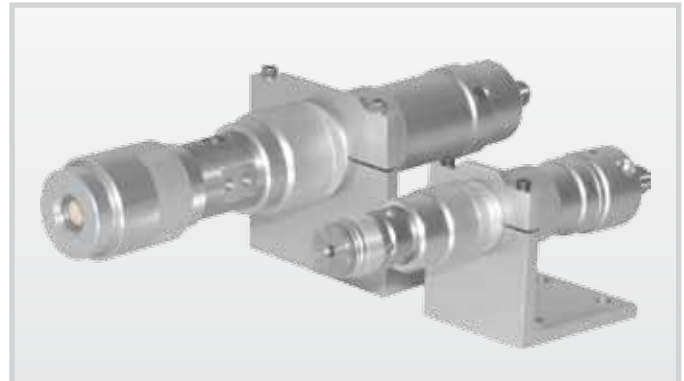


Mounting Options



Riser Block Mounting

Customers may prefer to make a Riser Block and place up to 4 Tools under the leak test instrument. This will elevate your instrument approximately 2.5" to 3". Contact **FasTest** for assistance with this mounting option.



Foot Bracket Mounting

TS1901 Tool Size 1, **TS2901** Tool Size 2.

The Foot Bracket securely holds the Tool by clamping around the outside diameter. There are optional mounting holds within the midsection of the Tool. Refer to installation instructions or contact **FasTest** for assistance.

Installation

The ETS Tools is completely sealed with a NEMA 65 rating, thus suitable for wash down and dusty environments. The Controllers have communication ports and should not be subject to moisture or excessive contamination. For additional information or questions, please refer to the Operation and Installation Instructions or contact **FasTest** directly.

Materials of Construction

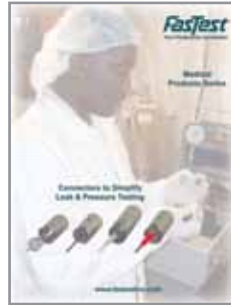
- Tool:** Stainless Steel & Clear Anodized Aluminum
- Body Seal(s):** Viton
- Main Seal:** Neoprene, Urethane or FDA Neoprene
- Controller:** ABS Housing

Additional Products and Brochures from FasTest



Engineering & Application Guide

Engineering and Application Guide to Connectors for Pressure Testing & Processing details our complete offering for all applications.



Medical Connectors

Versatile product line of connectors for sealing and testing a wide variety of medical products and drug delivery devices.



Refrigeration Connectors

The CoreMax system of high flow processing valves and connectors for the refrigeration manufacturing and service industry.

Additional Options and Services from FasTest

ReConnect Our connector refurbishment program ensures proper connector operation and performance as well as extending the service life and warranty of your investment. Connectors routinely maintained can be refurbished economically relative to the cost of a new connector replacement. Contact **FasTest** for details.

Custom Applications - Customized products are available for unusual or unique connection requirements.

Limited Express Warranty

FasTest Inc. warrants its products against defects in workmanship and materials for 12 months from the date of sale by FasTest Inc. or its authorized distributor. This warranty is void if the product is misused, tampered with or used in a manner that is contrary to FasTest Inc.'s written recommendations and/or instructions.

FasTest Inc. does not warrant the suitability of the product for any particular application. Determining product application suitability is solely the customer's responsibility. FasTest Inc. is not liable for consequential or other damages including, but not limited to, loss, damage, personal injury, or any other expense directly or indirectly arising from the use of or inability to use its products either separately or in combination with other products.

ALL OTHER WARRANTIES EXPRESS OR IMPLIED, WHETHER ORAL, WRITTEN OR IN ANY OTHER FORM, INCLUDING BUT NOT LIMITED TO WARRANTIES OF MERCHANTABILITY OR FITNESS FOR A PARTICULAR PURPOSE ARE EXPRESSLY EXCLUDED.

The sole and exclusive remedy under this warranty is limited to replacement of the product or an account credit in the amount of the original selling price, at the option of FasTest Inc. All allegedly defective products must be returned prepaid transportation to FasTest Inc., together with information describing the product's performance, unless disposition in the field is authorized in writing by FasTest Inc.

Notifications and Copyright

Specifications in this brochure are subject to change without notice. FasTest also reserves the right to make modifications and makes no guarantee of the accuracy of the information contained herein.

© 2011 FasTest Inc. All rights reserved. No part of this publication may be reproduced without written permission.