

FastTest[®]
Your Productivity Connection

**Medical
Products Series**

**Connectors to Simplify
Leak & Pressure Testing**



www.fastestinc.com

ELIMINATE TESTING BOTTLENECKS



**INCREASE PRODUCTION
AND QUALITY WHILE
REDUCING COSTS**

ME Medical Series Connectors seal conventional and non-standard surfaces of tubes, luers, catheters and other smooth or threaded parts. Compressed air activates the elastomeric seal for testing to 500 psi. Uniform seal movement makes a leak-proof connection. Testing, filling or flushing, using air, gas or liquid, of the test piece is accomplished by introducing the media through the **FasTest** connector.



VALVES



LUMENS



CATHETERS



INFUSION BAGS



GAUGES



SYRINGES BOTTLES



DIALYSIS



STENTS

The ME series can test products, with sizes ranging from .510" to .015", such as:

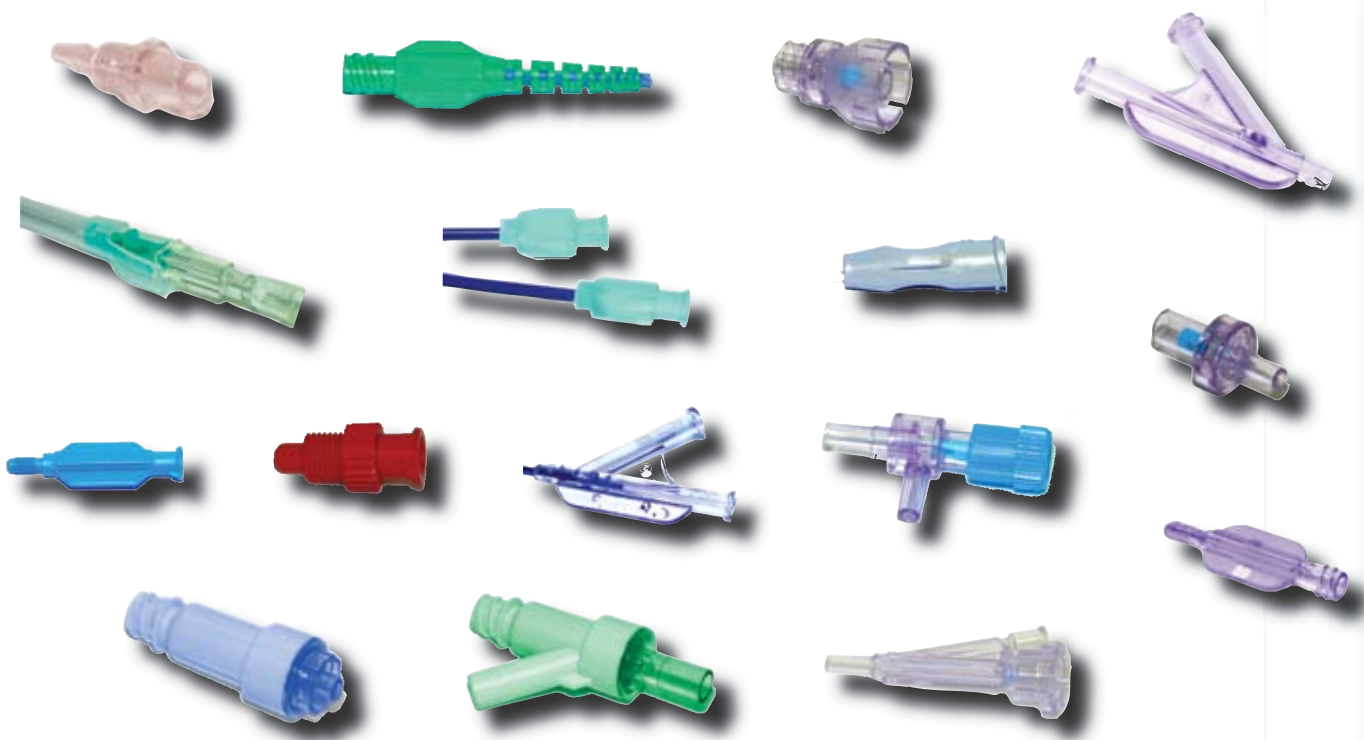
- Stents
- Endoscopes
- Ventilators / Oxygen Therapy / Nebulisers
- Blood Pressure Monitoring
- Drug Delivery Systems
- Pacemakers
- Suction Equipment
- Disposables / Plastic Components and more...

FasTest[®]

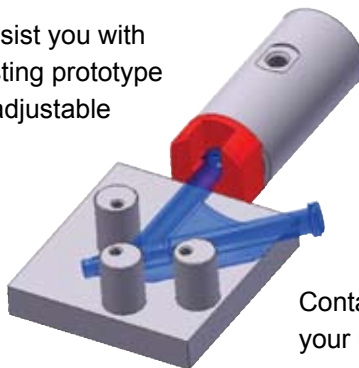


ML Medical Series Connectors are specifically designed to test many types of luers.

FasTest's proprietary hold and seal design secures the luer while a special piston seals the internal portion of the luer. ML series connectors can be used manually or automated with sealing pressures to 500 psi. Actual pressure will vary based on the type of luer.



FasTest can assist you with solutions for testing prototype parts using an adjustable platform.



Contact us to discuss your unique application.



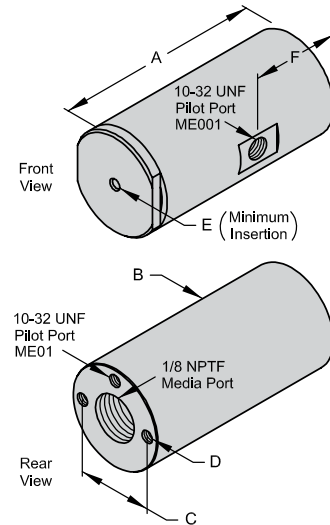
ME Series

For External Sealing of Catheters, Lumens, Luers and Other Cylindrical Parts

Part Number	Sealing Range (inches)	Replacement Seal Kit *	Main Seal Replacements (5)	Internal Repair Kit
ME001-0050	.030 to .050	MES001-0050	MEB001-0500	MER001
ME001-001	.050 to .080	MES001-001	MEB001-001	MER001
ME001-002	.080 to .130	MES001-002	MEB001-002	MER001
ME01-01	.100 to .180	MES01-01	MEB01-01	MER01
ME01-02	.180 to .260	MES01-02	MEB01-02	MER01
ME01-03	.260 to .340	MES01-03	MEB01-03	MER01
ME01-04	.340 to .420	MES01-04	MEB01-04	MER01
ME01-05	.420 to .510	MES01-05	MEB01-05	MER01

* Kit includes seal and metal parts for complete seal change.

- Test pressure ranges from vacuum to 500 psi.
- ME001 connectors can be ordered to seal applications as small as .015" O.D. Consult factory for details.
- Above ME's available in optional stainless steel by adding SS to the suffix of the part number. Example: ME01-01SS
- Please contact **FasTest** for model number for sealing outside diameters larger than .510".
- Please contact **FasTest** for sealing irregularly shaped diameters, such as ovals, rectangles or combinations.



Dimension Key

Part Number	A	B	C	D	E	F
ME001- . .	1.72	Ø .84	.63	4-40UNC (2)	.16	.72
ME01- . .	2.05	Ø 1.49	1.10	10-32UNF (2)	.58	NA



ML Series

For Securing and Sealing Luer Fittings

Part Number	Sealing Range	Main Seal Replacements (5)	Internal Repair Kit
ML001- . . (Consult Factory)	Sized to Part	Sized to Part	MER001

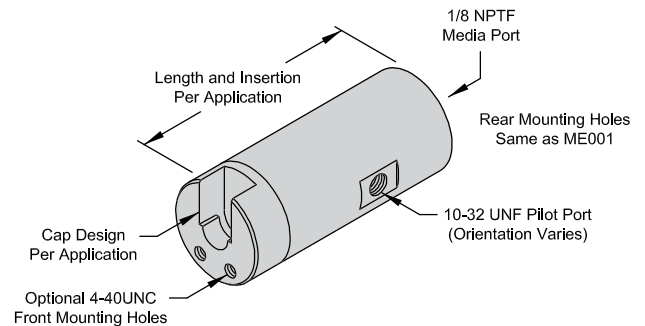
- Test pressure ranges from vacuum to 500 psi.
- Available in Stainless Steel.
- Basic housing dimensions same as ME001 connector above.

How to Order:

The "ML" Medical Series connectors are designed to your specific application requirements.

To obtain a part number and price quotation:

1. Contact your local **FasTest** partner with details regarding your application. Test pressure, media and tolerance (detailed drawing preferred).
2. Provide two sample parts for design and testing purposes.



FasTest Inc.

1646 Terrace Drive
Roseville, MN 55113
Phone: 651-645-6266
Fax: 651-645-7390
Toll Free: 800-444-2373
www.fastestinc.com

FasTest[®]
Your Productivity Connection